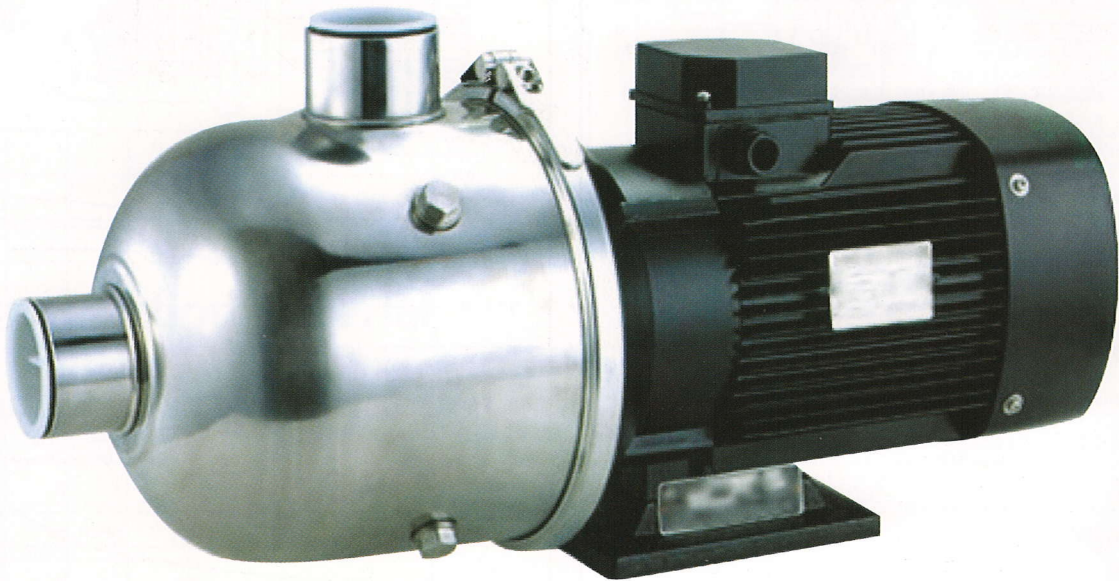


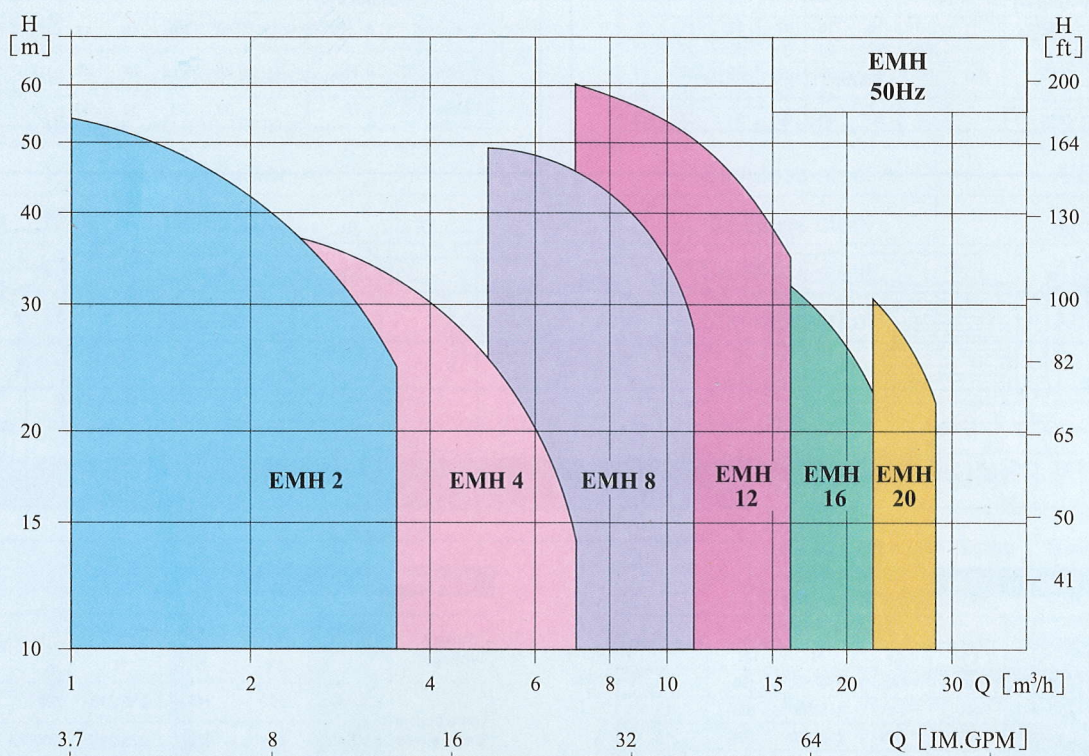
Pressure Boosting Pumps
 for Mechanical Building
 and Industrial Services
 Horizontal Models



EMH Series



Family Performance Scope



Application

EMH type pump are mainly used in industrial field:

- Air-conditioning system
- Cooling system
- Industrial cleaning
- Water treatment (water purification)
- Agriculture
- Fertilizing / metering system
- Environmental application
- Other special applications

Application Medium

- Thin and clean non-flammable and non-explosive liquid
- Mineral water, soft water, pure water, edible vegetable oil and other light chemical medium
- When the density or viscosity of to-be-conveyed liquid is larger than that of water, it is necessary to select a driving motor of high power
- Whether a specific liquid is suitable for the pump depends on many factors, among which the most important ones are chlorine content, PH value, temperature, solvent and oil content.

Operation Condition

- Liquid temperature:
Normal temperature type: $-15^{\circ}\text{C} \sim +70^{\circ}\text{C}$
Hot water type: $-15^{\circ}\text{C} \sim +110^{\circ}\text{C}$
- Highest ambient temperature: $+40^{\circ}\text{C}$
- Max. operation pressure: 10 bar
- Max. inlet pressure is limited by max. operation pressure

Electric Motor

- Full-enclose, air-blast two-pole motor
- Protection class: IP55
- Insulation class: F
- Standard voltage, 50Hz:
1 x 220 - 240V
3 x 220 - 240V / 380 - 415V

Definition of Model

EMH 403

Light horizontal multistage centrifugal pump

Flow passage component: stainless steel 304 or 316 (Optional)

H - stand for : "section type" pump "Water-in and water-out body is of stainless steel"

4 - Nominal flow m^3/h

30 - Stage x 10

Pump

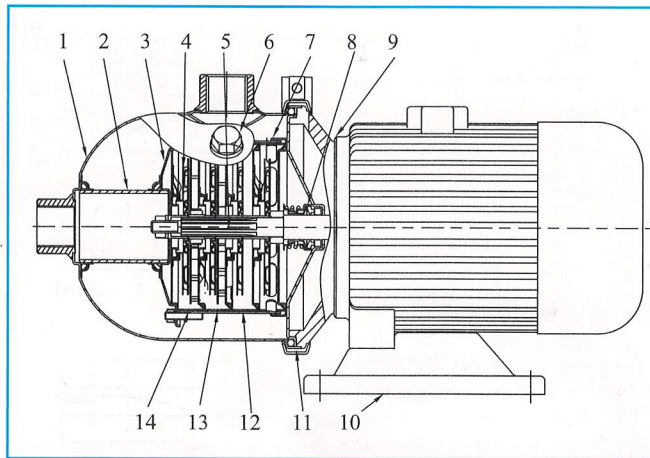
- Horizontal multistage non-self-priming centrifugal pump, attached with long shaft electric motor
- Compact structure renders small size of pump; axial inlet and radial outlet.

Connection Port	EMH 2	EMH 4	EMH 8, 12, 16, 20
inlet	G1	G1 ^{1/4}	G2
outlet	G1	G1	G2

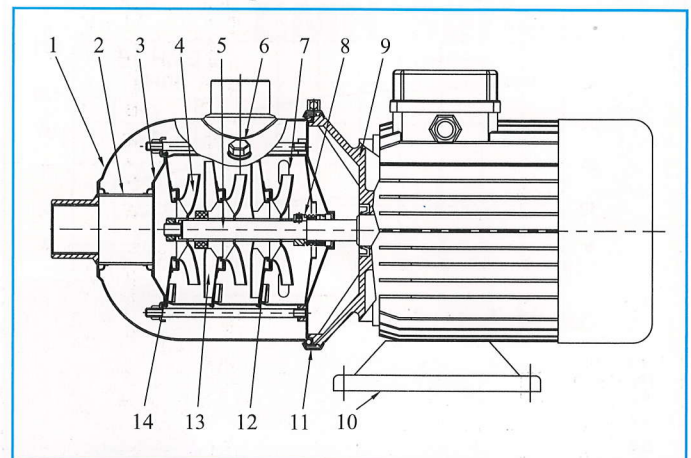
GENERAL DATA

EMH Series LIGHT Horizontal Multistage Centrifugal Pump

Section Drawing EMH 2, 4



Section Drawing EMH 8, 12, 16, 20



Construction Material

No	Name	Material	AISI / ASTM
1	Inlet and outlet section	Stainless steel	AISI304
2	Connection pipe	Stainless steel	AISI304
3	Clamp plate	Stainless steel	AISI304
4	Impeller	Stainless steel	AISI304
5	Shaft	Stainless steel	AISI304
6	Gag	Stainless steel	AISI304
7	Water-out guide vane	Stainless steel	AISI304
8	Mechanical seal		
9	Motor and cover	Aluminium alloy	
10	Base frame	Cast iron	ASTM25B
11	Quick joint	Stainless steel	AISI304
12	Guide vane	Stainless steel	AISI304
13	Support guide vane	Stainless steel	AISI304
14	Inducers	Stainless steel	AISI304

EBS-RAY PUMPS PTY. LIMITED

ACN 000 061 003

Head Office and Works
628 Pittwater Road
Brookvale NSW 2100
Australia.

Branch Office: Victoria
Phone: (03) 9706 7263
Fax: (03) 9706 7312

Phone: (02) 9905 0234
Fax: (02) 9938 3825

Branch Office: Queensland
Phone: (07) 3260 7411
Fax: (07) 3260 7422

